

McCULLOCH®

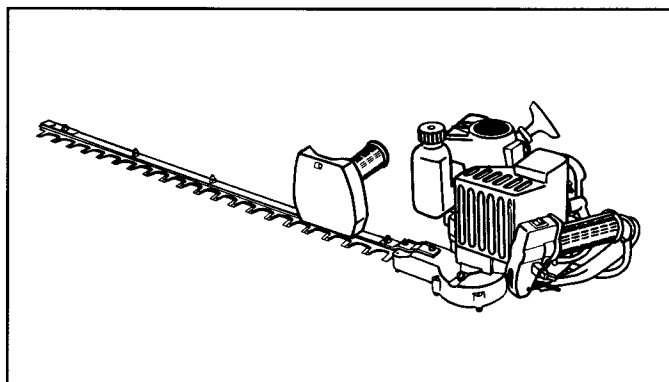
PARTNER

ILLUSTRATED PARTS LIST

HC 60-70 PARTNER PH60

SERIAL NUMBER PREFIX 04 - 05

CE



March 2000

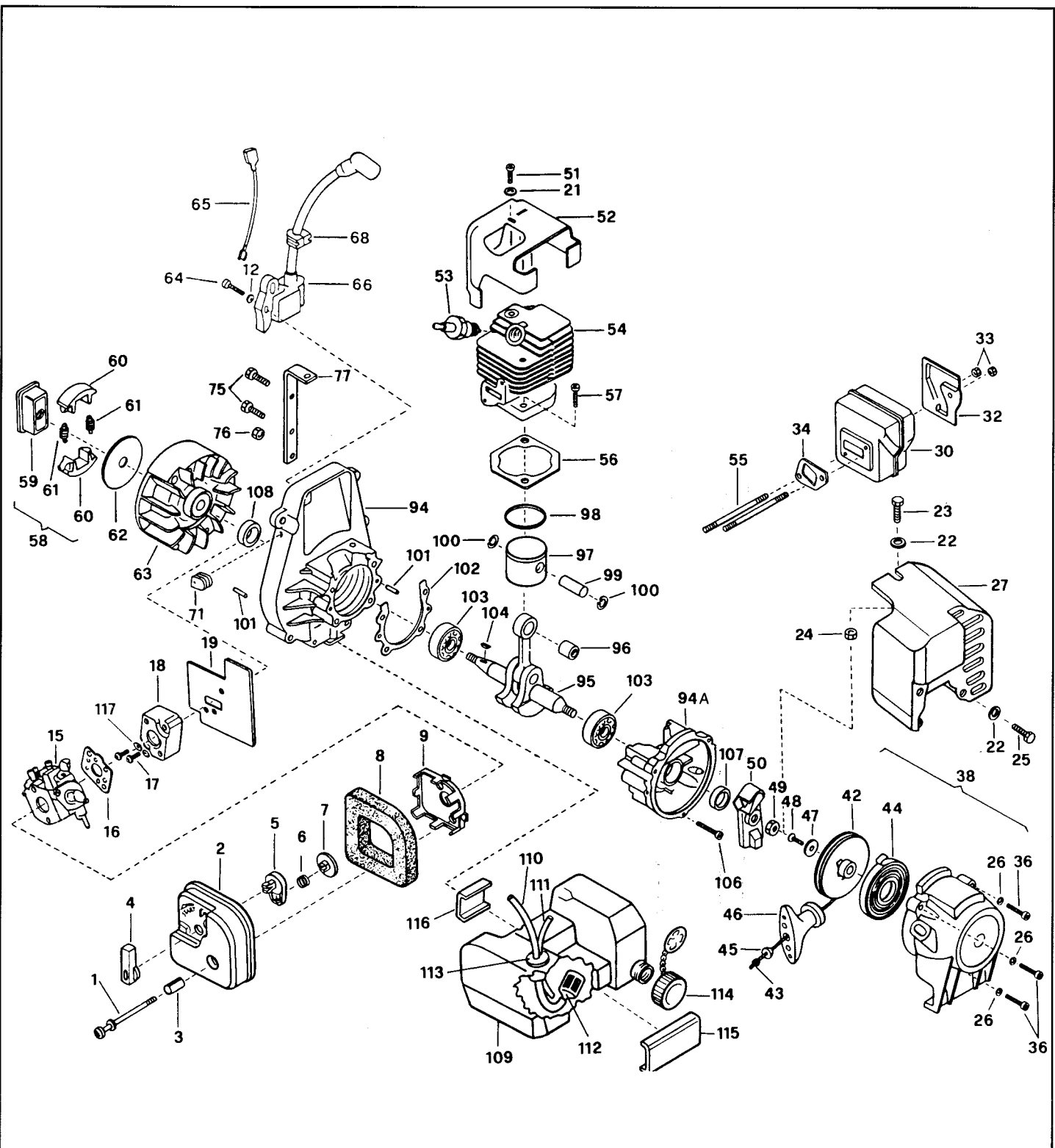


FIGURE 1

C	1	227274	M5x60	2	23	228957	M4x25	1	48	● 300294	1	64	235806	M5x20	2	101	241597	4
	2	241677		1	24	235431		1	49	241624	1	65	241606		1	102	241595	1
	3	241705		2	25	228908	M4x14	1	50	241784	1	C 66	241749		1	103	241594	2
	4	235819		1	26	235612		3	51	236381	M5x10	68	236322		1	C 104	102164	Prefix 04
	5	235820		1	27	229103		1	52	224165		71	241607		1	C	227631	Prefix 05
	6	235822		1	C 30	301833-01		1	A 53	92879		75	228957	M4x25	2	106	235804	M5x30
	7	241602		1	32	322231		1	C 54	302000		76	235431		1	C 107	241596	1
B	8	241640		1	33	235642		2	B 55	241804	2	77	228884		1	C 108	241596	1
	9	241704		1	C 34	323829		1	B 56	241598	1	94	241720		1	C 109	241105	1
	12	235248		2	36	228957	M4x25	3	57	236933	M6x18	94A	241748		1	B 110	● 229132	1
C	15	FIGURE 4			C 38	241614		1	B 58	241792	1	95	241584	Prefix 04	1	B 111	● 227139	1
A	16	241600		1	B 42	● 241620		1	59	● 241789	1	241805	Prefix 05	1	A 112	● 93720	1	
	17	235806	M5x20	2	A 43	● 241746		1	60	● 241790	2	C 96	● 235742		1	C 113	● 235675	1
C	18	241750		1	B 44	● 241619		1	A 61	● 241794	2	C 97	248177		1	B 114	223508	1
B	19	241643		1	45	● 235612		1	62	241604		B 98	● 240002		1	115	241611	1
	21	235248		1	46	● 216792		1	63	222372	Prefix 04	99	● 241735		1	116	241612	1
	22	235612		2	47	● 241703		1	241796	Prefix 05	1	100	● 235008		2	117	235248	2

A = high moving - alta rotazione - haute demande - große Nachfrage B = medium moving - media rotazione - moyenne demande - mittelmäßige Nachfrage C = slow moving - bassa rotazione - basse demande - wenige Nachfrage

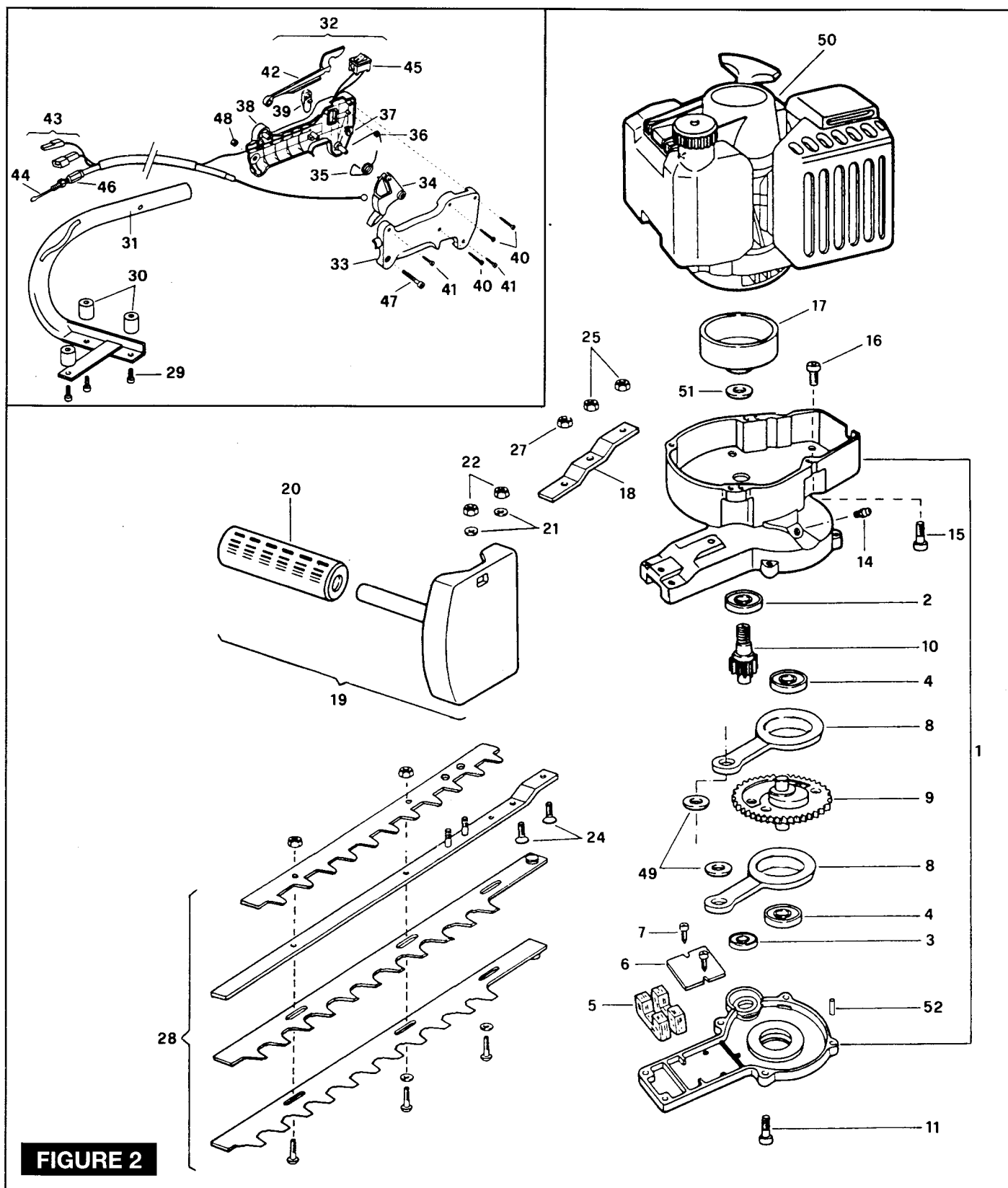
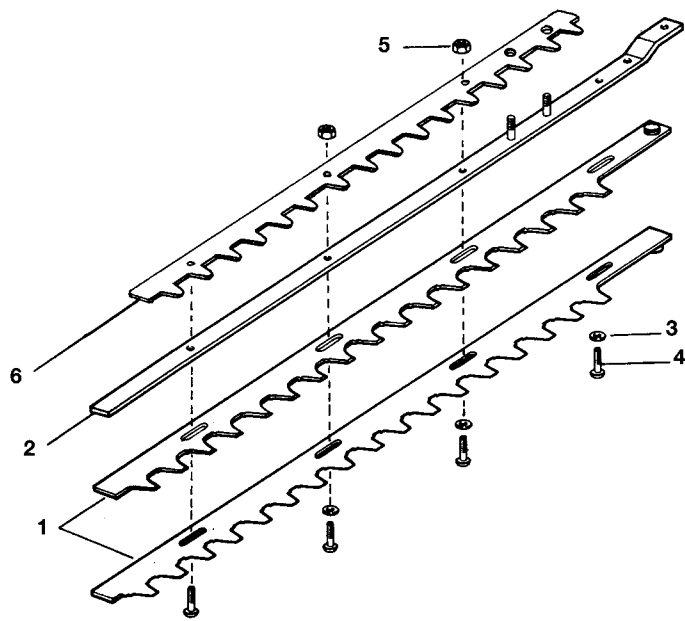


FIGURE 2

1	248114	1	C 17	301115-03	1	33	● 241293	1	47	235804	M5x30	1
2	● 235897	1	18	241023	1	34	● 241295	1	48	235216		1
3	● 235914	1	19	229080	1	35	● 240091	1	49	228728		2
4	● 228958	2	20	● 235895	1	36	● 229973	1	50	FIGURE 1		
C 5	228921	1	21	236936	2	37	● 229823	1	51	235164		1
6	228891	1	22	228926	2	38	● 241294	1	52	236365		2
7	228945	M3x5	24	228924	M5x20	39	● 229824	1				
C 8	241123	2	25	229208	2	40	● 240833	3				
9	228804	1	27	228926	1	41	● 240618	2				
10	228806	1	28	FIGURE 3		42	● 229820	1				
11	229077	M5x18	29	236512	M6x8	C 43	● 240903	1				
14	228861	1	C 30	235987	M6x8	C 44	● 240900	1				
15	235801	M4x16	31	228897	1	C 45	● 236394	1				
16	236389	M6x10	32	240904	1	46	● 229207	1				



HC 60 - PH60

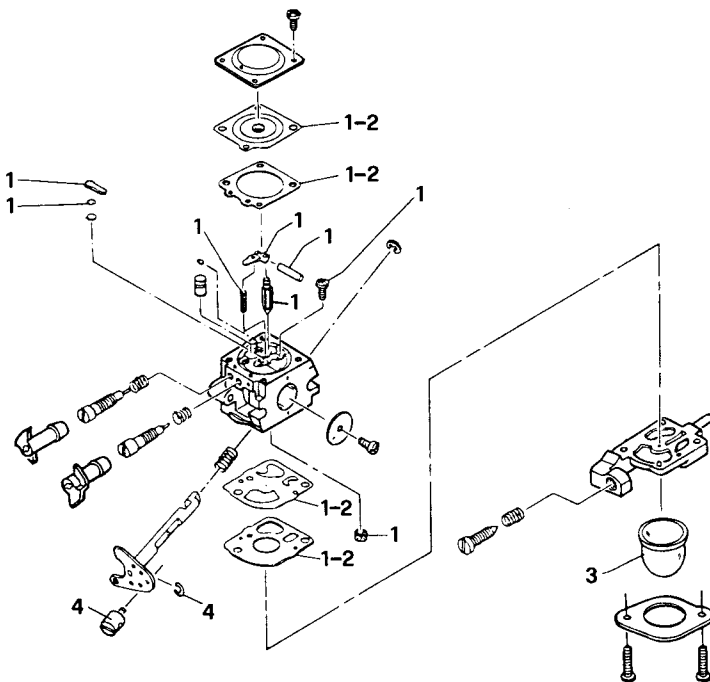
C	1	228917	1
	2	228875	1
B	3	236934	3
B	4	228925 M6x23	4
B	5	228926	2
	6	241013	1

HC 70

C	1	228918	1
	2	228874	1
B	3	236934	4
B	4	228925 M6x23	5
B	5	228926	3
	6	241013	1

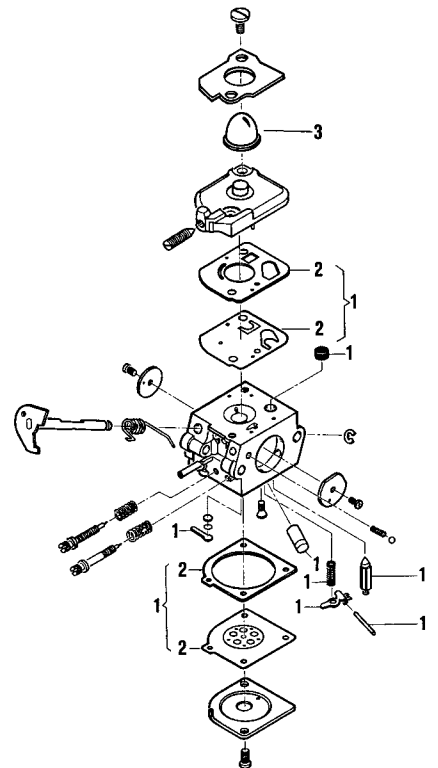
FIGURE 3

WALBRO WT 547



C	-	241601	carbur.
B	1	• 324013	1
A	2	•• 324009	1
C	3	• 225834	1
	4	• 224466	1

ZAMA C1Q M38



C	-	241824	carbur.
B	1	• 300465	1
A	2	•• 300473	1
C	3	• 246946	1

FIGURE 4

A = high moving - alta rotazione - haute demande - große Nachfrage
 B = medium moving - media rotazione - moyenne demande - mittelmäßige Nachfrage
 C = slow moving - bassa rotazione - basse demande - wenige Nachfrage